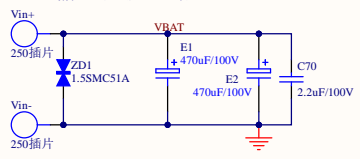


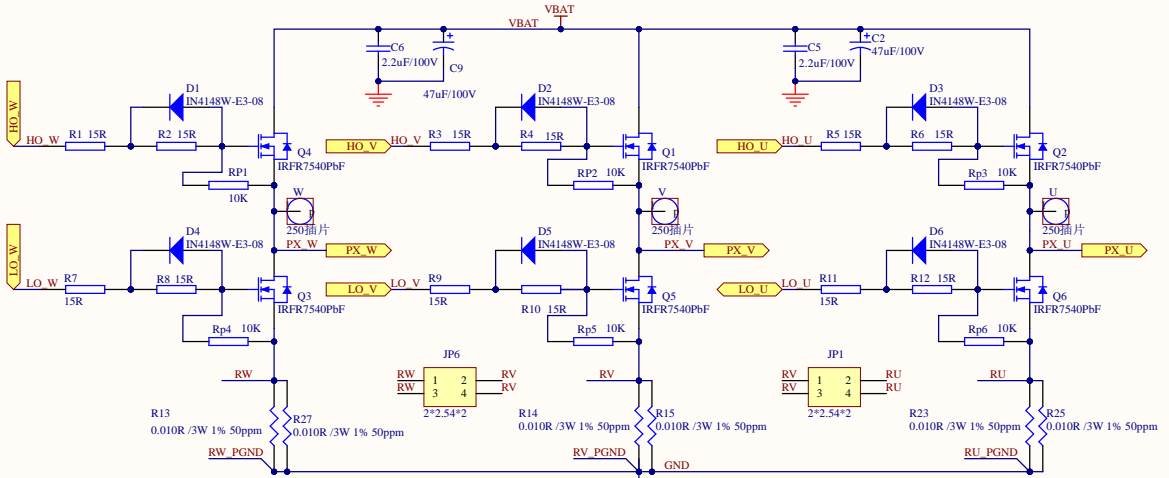
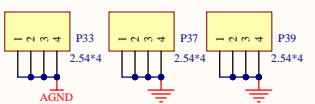
A

A

输入滤波回路

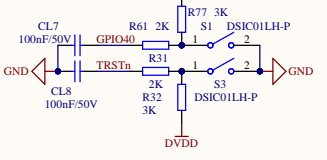
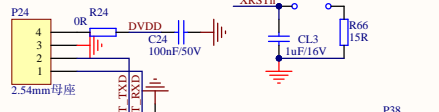
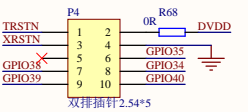


ENG 10块 40块PCB



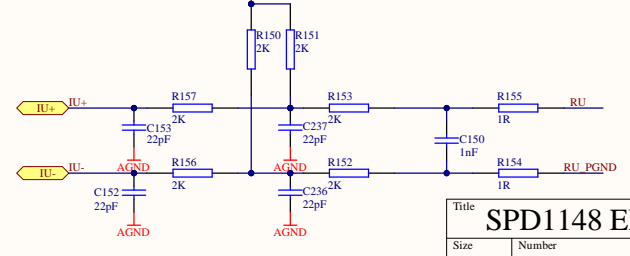
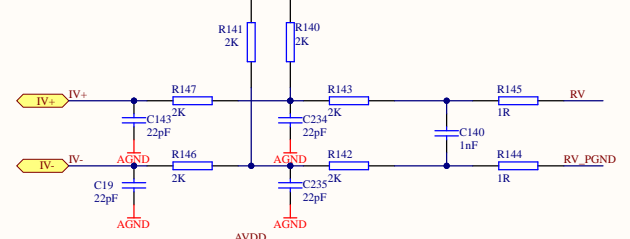
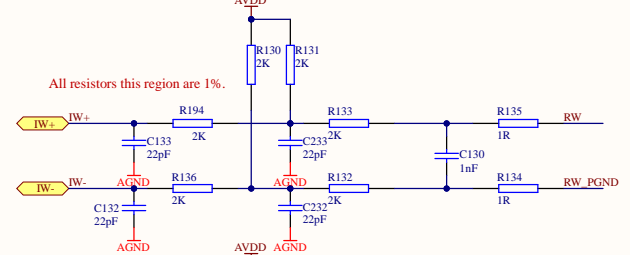
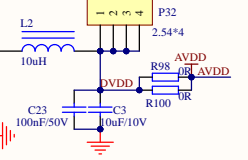
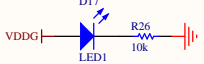
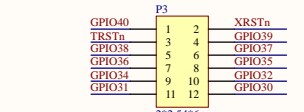
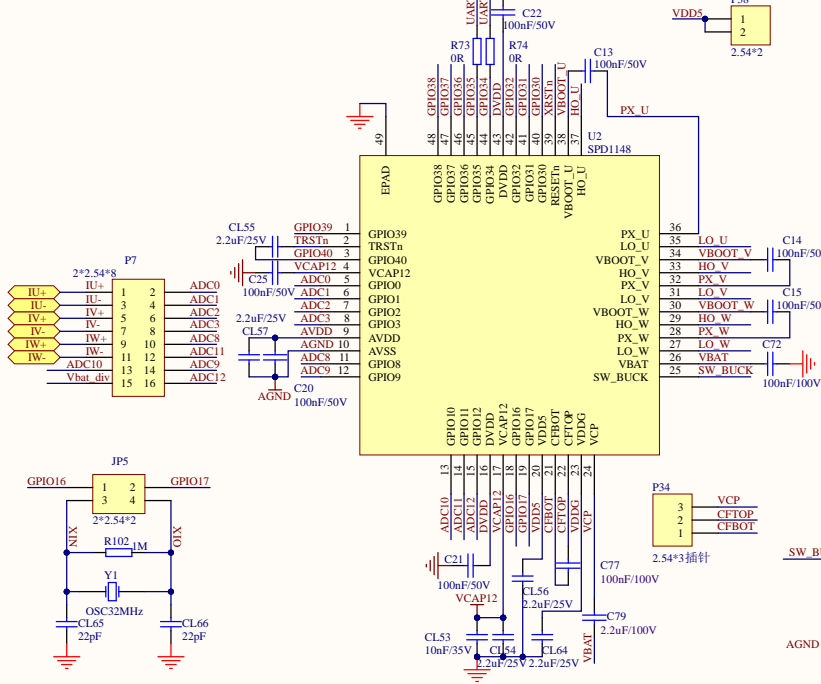
B

B



C

C



D

D

Title: SPD1148 ENGR板原理图
 Size: A3
 Number:
 Revision: V04
 Date: 1/26/2022
 File: D:\OneDrive - 旋智电子科技(上海)有限公司\SPD1148.ENGR.20210803_V04.SchDoc

Comment	Description	Designator	Footprint	LibRef	Quantity
---------	-------------	------------	-----------	--------	----------